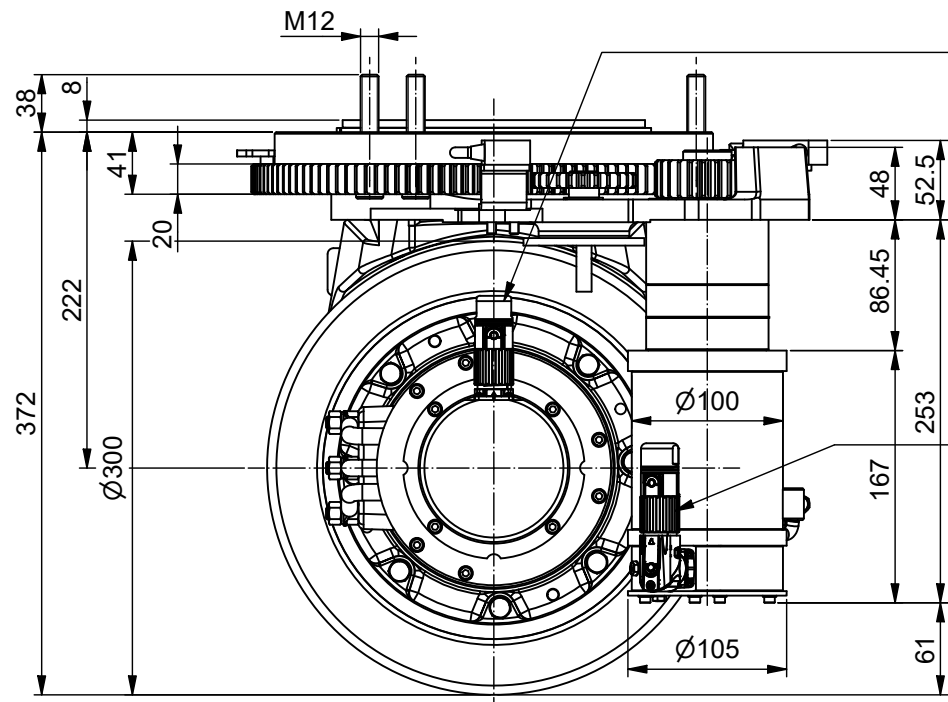




# PMAC MOTOR IN WHEEL UNIT

CODE

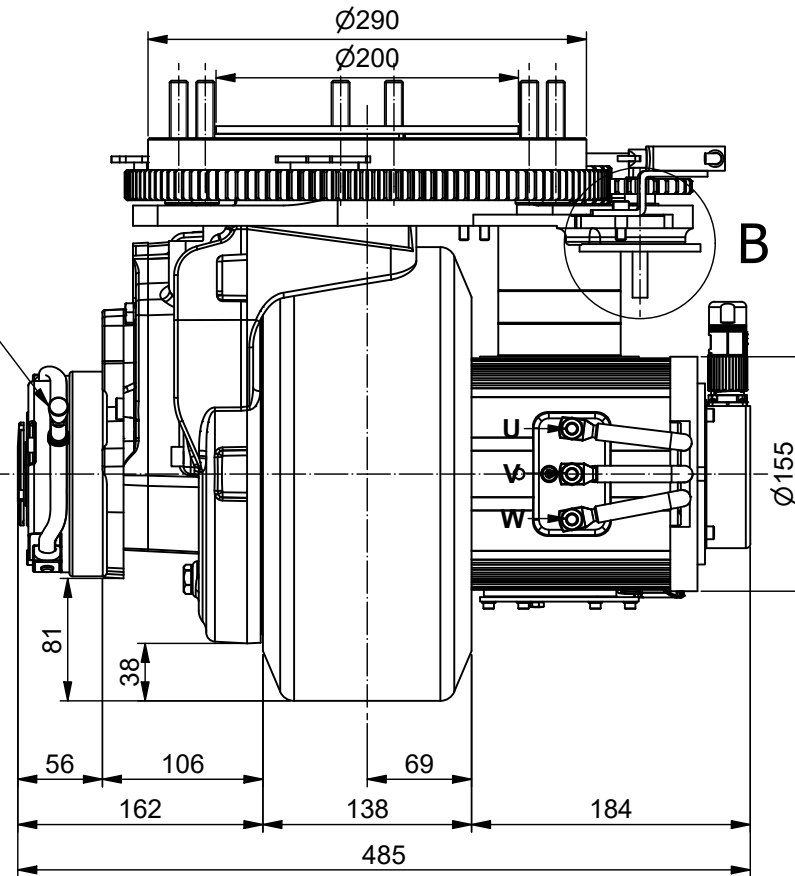
**MRT33.0171**



SinCos Position Sensor  
RLS RMB 29  
Interconnect Series 623  
Male AEGA175NN0000201000  
Female ASTA012NN00410235000  
- SinCos Position Sensor  
RLS RMB 29  
- N°2 Thermocouple 110°NC

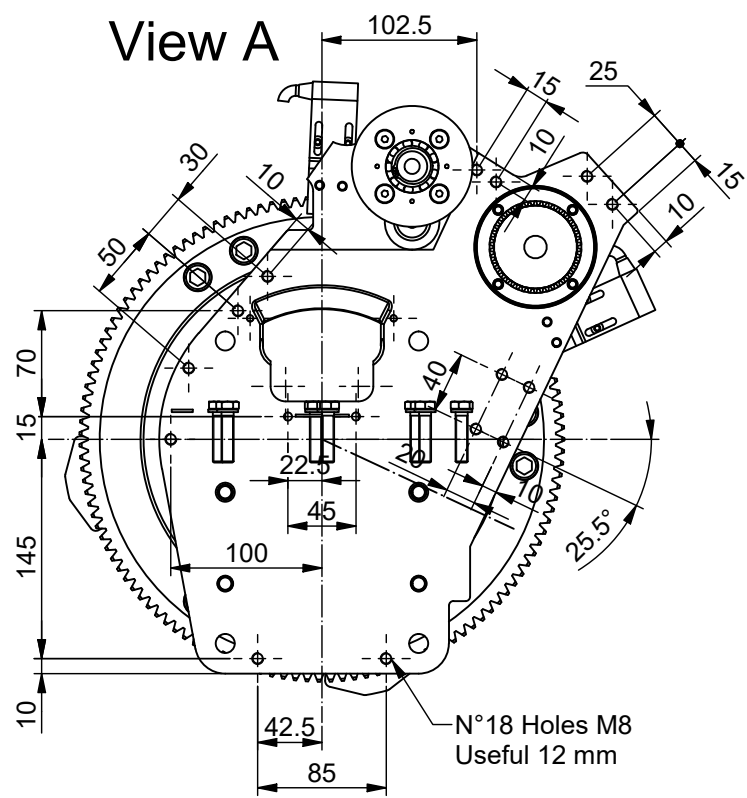
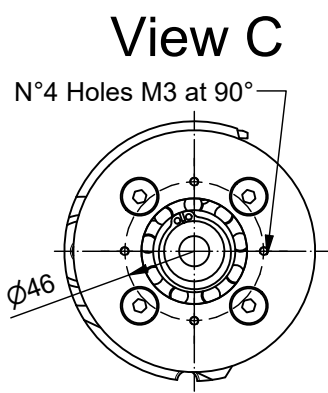
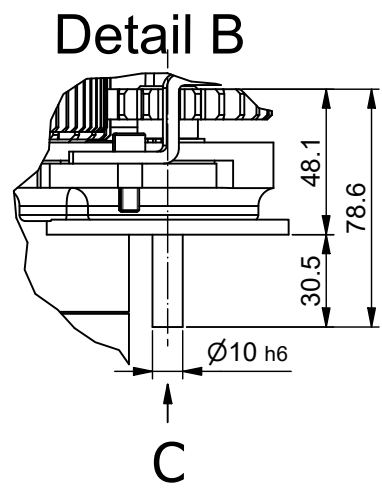
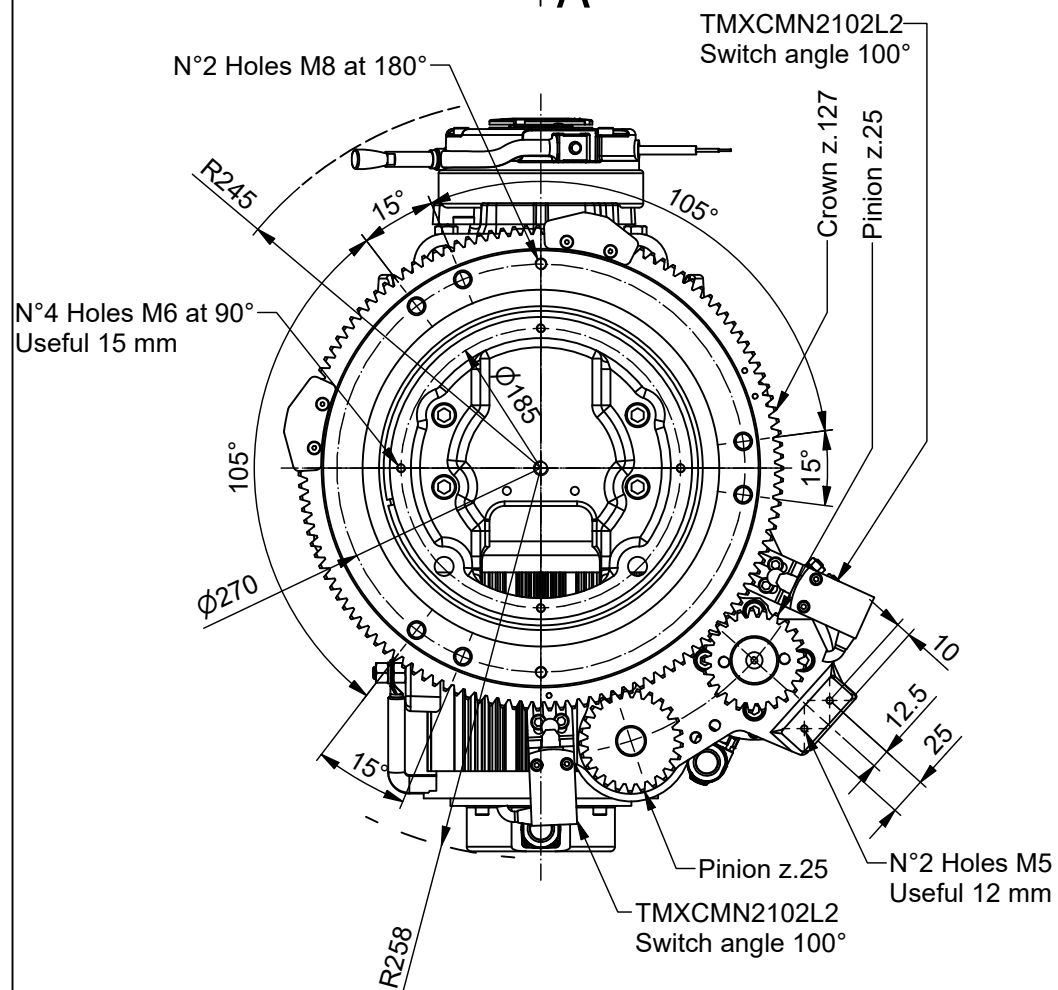
Brake Gr.10  
16Nm - 42V  
with hand release

SinCos Position Sensor  
RLS RMB 29  
Interconnect Series 623  
Male AEGA175NN0000201000  
Female ASTA012NN00410235000  
- SinCos Position Sensor  
RLS RMB 29  
- N°2 Thermocouple 110°NC



Traction motor data		
Type : BR Brushless		
Curve		
Power	W	2800
Battery voltage	V	48
Speed	Rpm	2200
Frequency	Hz	74
Torque	Nm	12.2
Enclosure	IP	44
PMAC motor type	BRE135 - 100 - 4	

Traction gear data		
Gear ratio	i	1:29.3
Max accel. and braking torque	Nm	600
Nominal wheel torque	Nm	284.9
Max load on vulkollan wheel	Kg	1800
Max load on poliurethan wheel	Kg	1800
Max load on solid rubber wheel	Kg	1100
Brake torque	Nm	16
Lubrication	Oil	



Steering gearmotor data		
Type : BR Brushless		
Curve		
Power	W	700
Battery voltage	V	48
Motor Speed	Rpm	3000
Frequency	Hz	100
Motor torque	Nm	2.2
Gear ratio	i	1:45.56
Gear output torque	Nm	76.1
Enclosure	IP	44
Lubrication	Grease	
PMAC motor type	BG090 - 50 - 4	

<b>Total Weight</b>	Kg	86
---------------------	----	----

Rev.	Description	Date	Signature
C			
B			
A			

Data :	28/03/2022	Scala :	1 : 5	<b>A3</b>
Date :		Scale :		
Dis :	A.A.			
Drawn :				